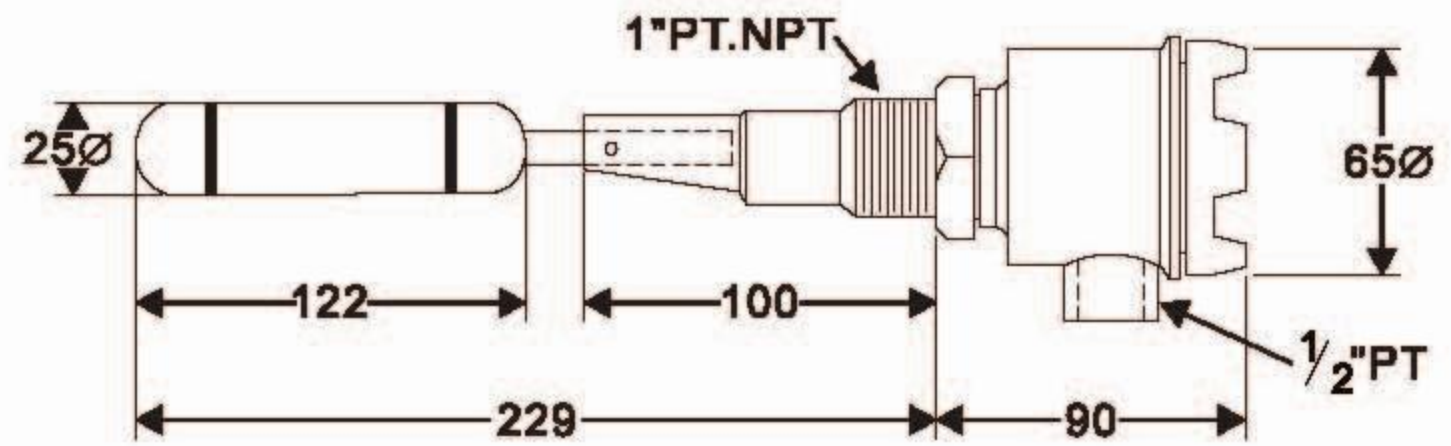


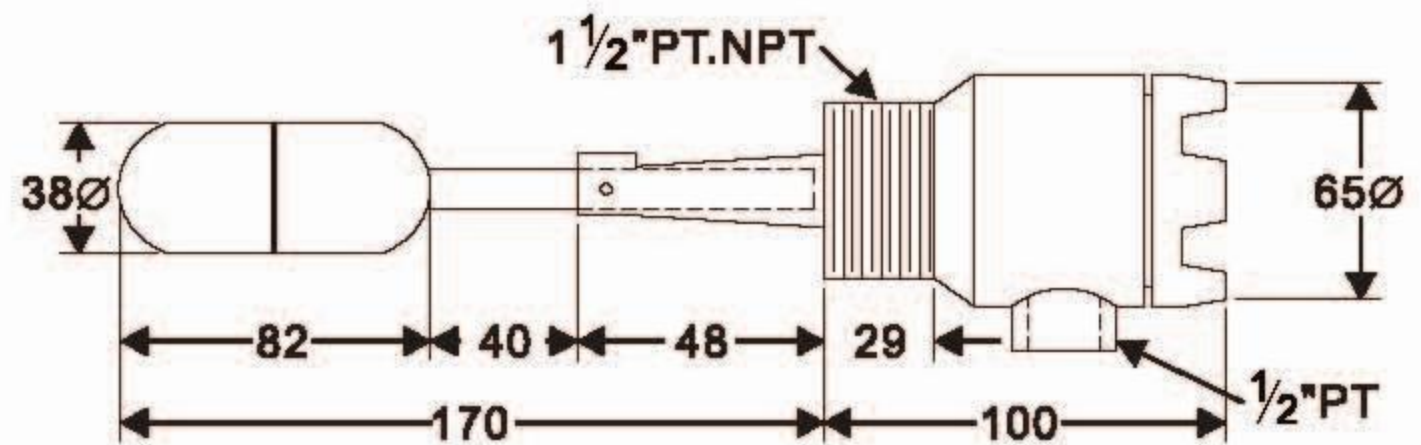
# Model LT SERIES 側裝式浮球液位開關

## LIQUID LEVEL FLOAT SWITCH

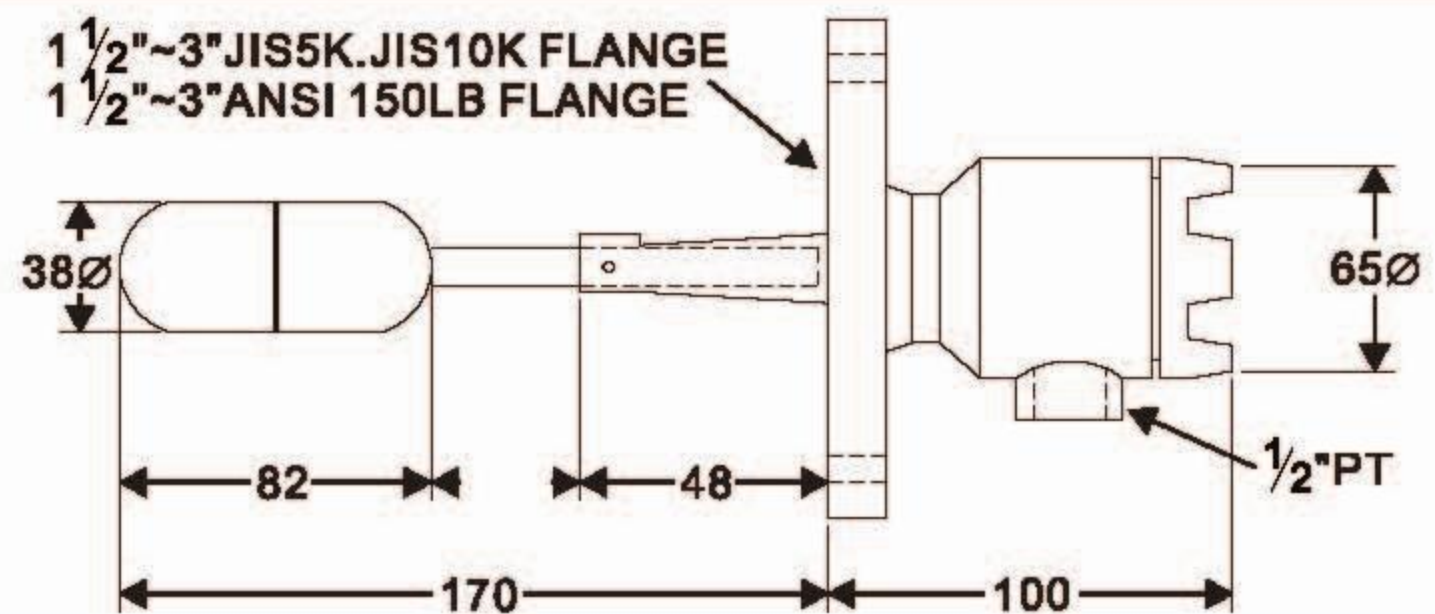
**LT-204**



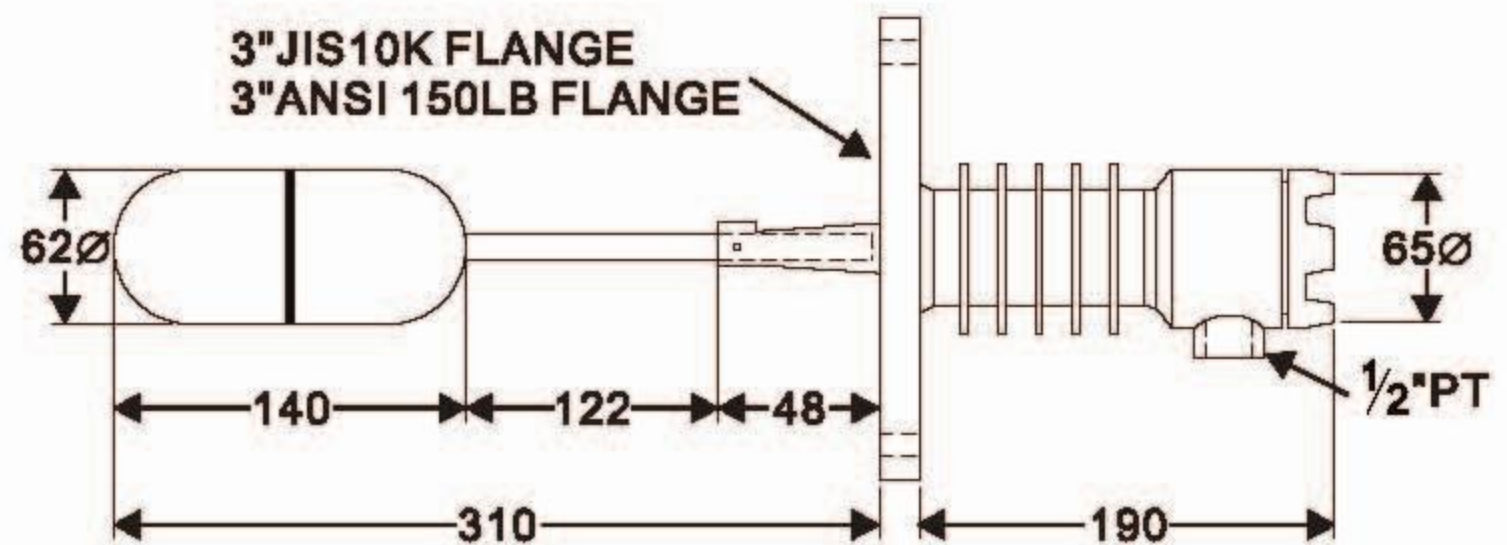
**LT-205**



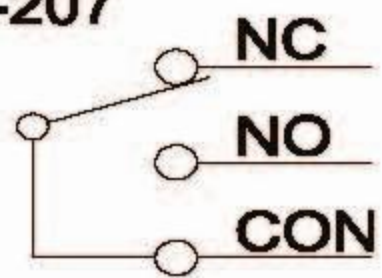
**LT-206**



**LT-207**



LT-205  
LT-206  
LT-207



MICRO SWITCH

MODEL	LT-204	LT-205	LT-206	LT-207
MATERIAL	304SS 316SS	304SS 316SS	304SS 316SS	304SS 316SS
MAX CURRENT	1A	3A	3A	5A
MAX VOLTAGE	250V	250V	250V	250V
TEMPER. RATING	-20 °C ~90 °C	-20 °C ~150 °C	-20 °C ~150 °C	-20 °C ~300 °C
PRESS. RATING	2 · kg/cm <sup>2</sup>	30kg/cm <sup>2</sup>	30kg/cm <sup>2</sup>	30kg/cm <sup>2</sup>
SP. GR.	0.7	0.7	0.7	0.7

NOTE:LT204 REED SWITCH