



• Differential Pressure Transmitter

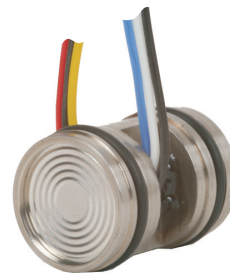
Features:

- Ranges: from vacuum to 200 bar
- Casing fully stainless steel AISI 304
- Protection IP-65
- Connections: Thread 1/4" NPT-F
- Accuracy 0,5% F.S. (repeatability, hysteresis, linearity)
- Resolution of analog output infinity
- Sensor Piezoresistive
- Adjust of Zero and Span in 10%
- Connector DIN 43650
- Temperature of casing 55°C (max)
- Media Temperature -10 +80 °C
- Output signal 4-20mA – 400 Ω ohms (max)
- Input 9 to 30Vcc
- Consumption max current of 60mA
- High immunity EMI-RFI (radio frequency)

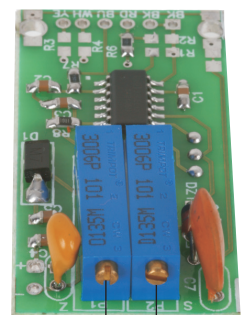
Applications:

- Control of process
- Management the systems of energy
- Measurement of flow of gases and corrosive liquids
- Measurement of level in pressurized tanks
- Pressure of saturation of filters
- Ventilation of systems and air conditioning
- Pollution systems control
- Control of pressure of rooms acclimatized

Sensor Piezoresistive SS-304/316



Circuit Board



Adjust of Zero Adjust of Span

How to order:

EC.DIF.420

Differential Pressure Transmitter

D-100

Table A Pressure Range

1/4" NPT-F

Connection (Others on request)

Table A - Pressure ranges

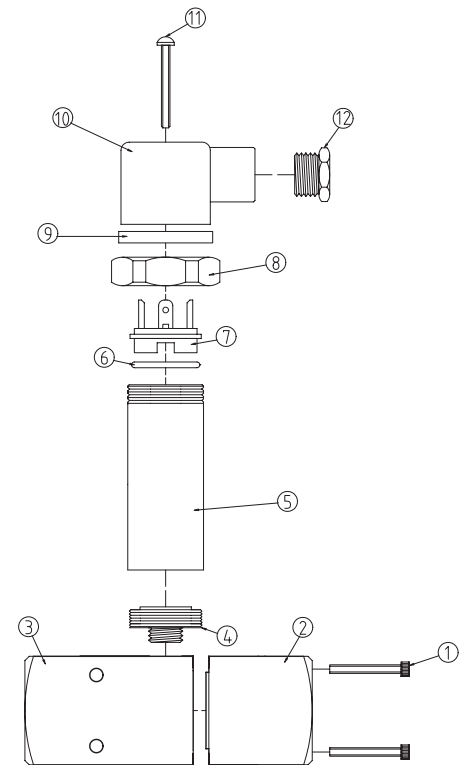
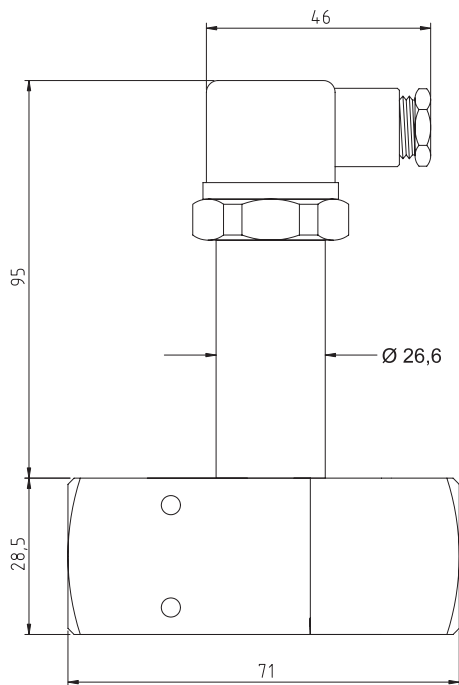
Code	Range of pressure differential rangeavel unidirectional are/or bidirectional		Maximum pressure line (Pressure static)	
	Bar	PSI	Bar	PSI
	D-1	0,1.....1	1,45.....14,5	1
D-2	0,5.....2	7,25.....29	2	29,0
D-5	1.....5	14,5.....72,5	5	72,5
D-10	4.....10	58.....145	10	145,0
D-25	10.....25	145.....362,5	25	362,5
D-50	25.....50	362,5.....725	50	725,0
D-100	25...100	362,5...1450	100	1450,0
D-200	50...200	725.....2900	200	2900,0

Sensor fully stainless steel AISI 304/316 -L

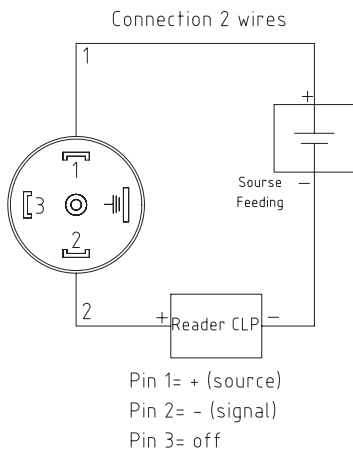
Code	Range of pressure differential rangeavel unidirectional are/or bidirectional			Maximum pressure line (Pressure static)		
	mBar	mmH2O	PSI	mBar	mmH2O	PSI
	DB-015	10,34	105,57	0,15	51,70	527,85
DB-030	20,69	211,25	0,30	103,45	1056,25	1,50
DB-080	55,16	563,18	0,80	275,80	2815,90	4,00
DB-150	103,43	1056,02	1,50	517,15	5280,10	7,50
DB-300	206,85	2111,94	3,00	1034,25	10559,70	15,00

Sensors for low-pressure air and gases non corrosive

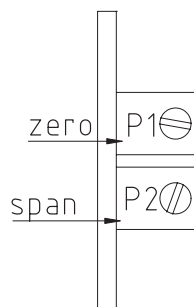
Dimensions



Scheme of connection of output signal 4-20mA



Zero/Span in circuit



Part	Denomination and Observation	Quant.	Material and dimensions
12	Cable-Gland	1	Termoplastico
11	Screw M3x29mm	1	ABNT 1010 look the drawing
10	Female Connector Square DIN 43650	1	Termoplastico
9	Base	1	Buna-N
8	Nut M27x1,5mm	1	Termoplastico
7	Male Connector Square DIN 43650	1	Termoplastico
6	O'ring code 2020	1	Nitrílico NBR 70
5	Tube	1	AISI 304 Ø26,6x65
4	Nut Intermediate	1	Brass
3	Connection Square side "B"	1	AISI 304 Ø1.1/8"x44
2	Connection Square side "A"	1	AISI 304 Ø1.1/8"x28
1	Screw M3x25mm	4	AISI 304